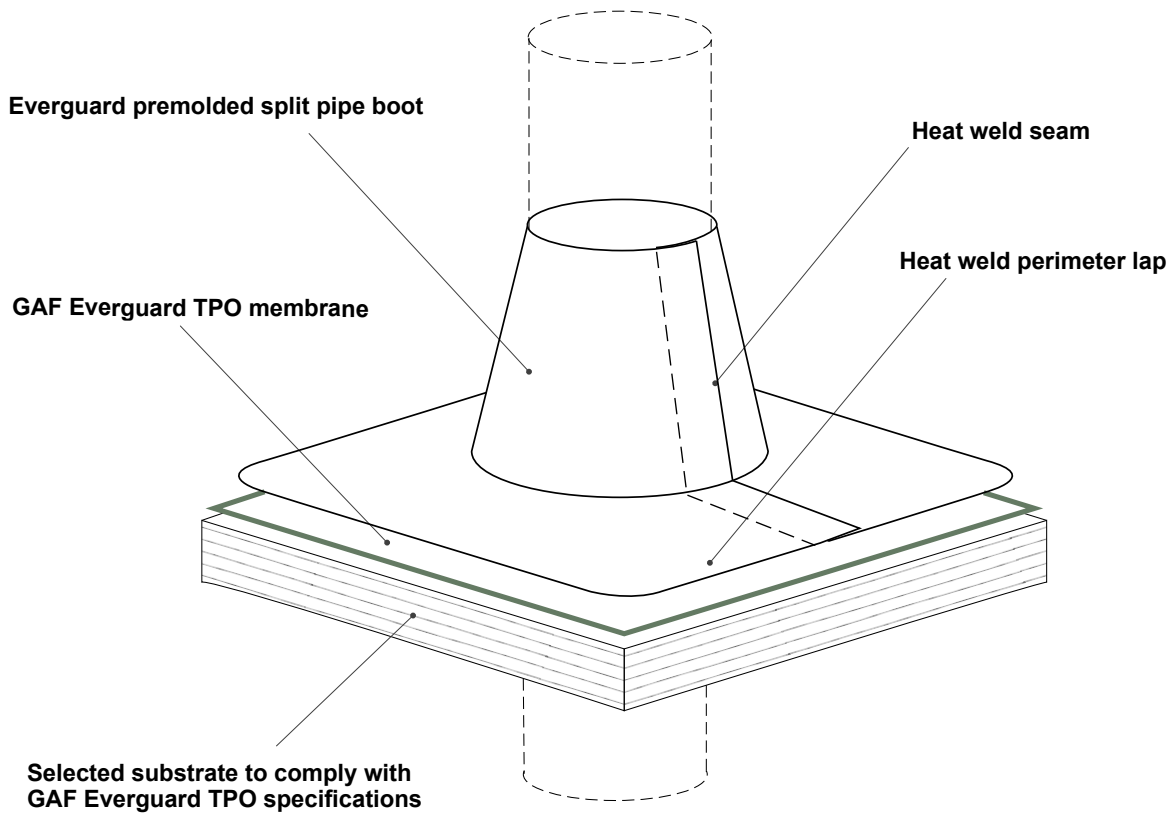


CONSTRUCTION DETAILS FOR 'GAF TPO SINGLE-PLY ROOFING SYSTEM'

Seal cut edges of Everguard TPO membrane



	DRAWING: SPLIT PIPE BOOT	DATE: 10 JUNE 2014	DETAIL: 502	 BRANZ Appraised Appraisal No 529
	DETAILS FOR: EVERGUARD TPO ROOFING	SCALE: N/A		